

Sumo EMV 23.09.18 Rakvere PU18+100

Competitors

Competitors: 3

#	Name	Grade	Club	1	2	3	Wins	Pts	Pos
1	Caspar TURU	?	MK Juhan				0	0	3
2	Mihkel PUKK	?	MK Juhan	10			1	10	2
3	XSANDER SOLBAJA	?	SK SUMOTORI	10	10		2	20	1

Matches

Match	White			Blue	Result	Time
1	Caspar TURU	1	2	Mihkel PUKK	00-10	0:05
2	Caspar TURU	1	3	XSANDER SOLBAJA	00-10	0:04
3	Mihkel PUKK	2	3	XSANDER SOLBAJA	00-10	0:08

Results

Pos	Name
1	XSANDER SOLBAJA, SK SUMOTORI
2	Mihkel PUKK, MK Juhan
3	Caspar TURU, MK Juhan

Sumo EMV 23.09.18 Rakvere PU18-100

Competitors

Competitors: 1

#	Name	Grade	Club	1	Wins	Pts	Pos
1	Ott HELISTE	?	Ramm		0	0	1

Matches

Match	White	Blue	Result	Time
-------	-------	------	--------	------

Results

Pos	Name
1	Ott HELISTE, Ramm

Sumo EMV 23.09.18 Rakvere PU18-60

Competitors

Competitors: 5

#	Name	Grade	Club	1	2	3	4	5	Wins	Pts	Pos
1	MARTIN LEPP	?	EESTI KARUD					10	1	10	3
2	Mattias SÄÄRITS	?	Ramm	10		10		10	3	30	2
3	Artur JEREMEJEV	?	Dodze	10				10	2	20	3
4	Carl Gustav KONT	?	Ookami	10	10	10		10	4	40	1
5	Reigo SÄÄLIK	?	Sakura						0	0	5

Matches

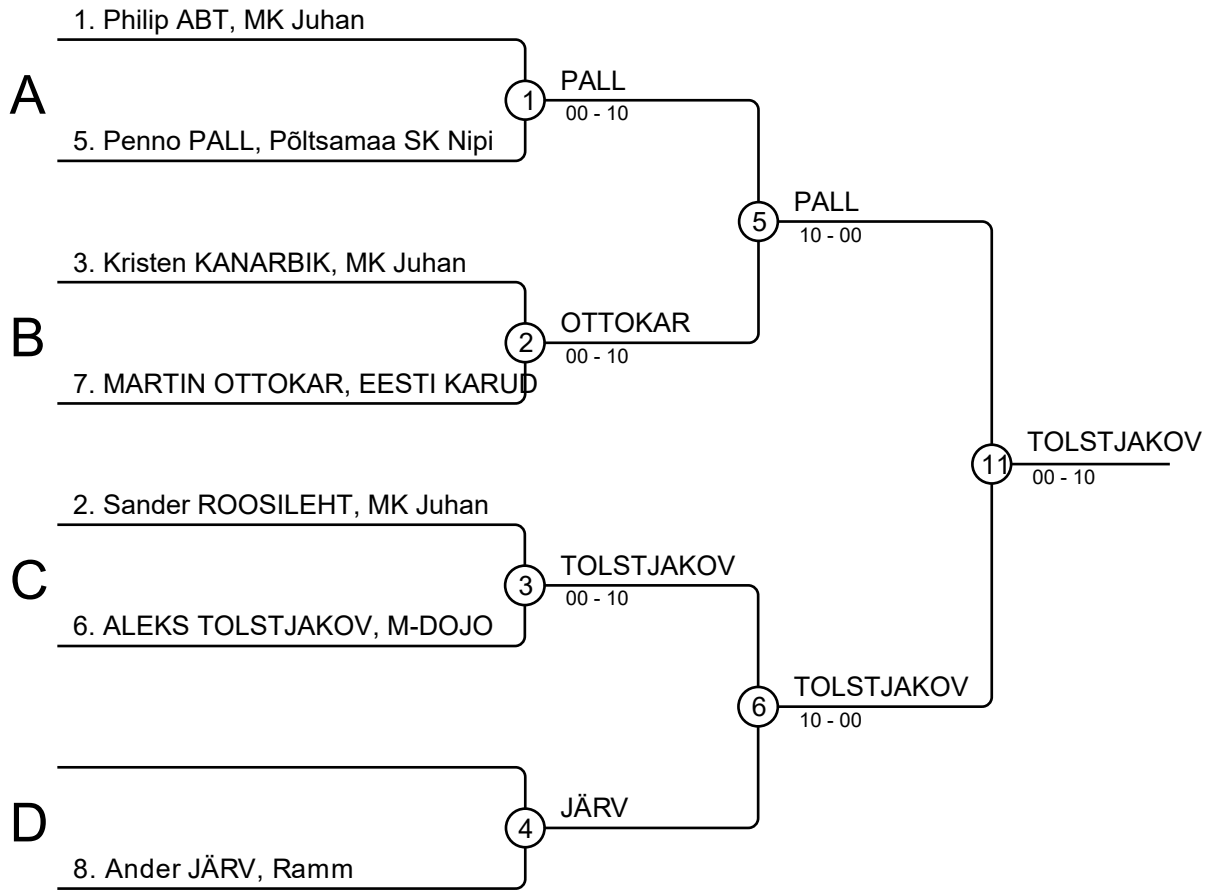
Match	White	Blue	Result	Time
1	Carl Gustav KONT	4 5 Reigo SÄÄLIK	10-00	0:03
2	MARTIN LEPP	1 2 Mattias SÄÄRITS	00-10	0:04
3	Artur JEREMEJEV	3 4 Carl Gustav KONT	00-10	0:02
4	MARTIN LEPP	1 5 Reigo SÄÄLIK	10-00	0:08
5	Mattias SÄÄRITS	2 3 Artur JEREMEJEV	10-00	0:10
6	MARTIN LEPP	1 4 Carl Gustav KONT	00-10	0:02
7	Artur JEREMEJEV	3 5 Reigo SÄÄLIK	10-00	0:07
8	Mattias SÄÄRITS	2 4 Carl Gustav KONT	00-10	0:03
9	MARTIN LEPP	1 3 Artur JEREMEJEV	00-10	0:21
10	Mattias SÄÄRITS	2 5 Reigo SÄÄLIK	10-00	0:04

Results

Pos	Name
1	Carl Gustav KONT, Ookami
2	Mattias SÄÄRITS, Ramm
3	Artur JEREMEJEV, Dodze
3	MARTIN LEPP, EESTI KARUD
5	Reigo SÄÄLIK, Sakura

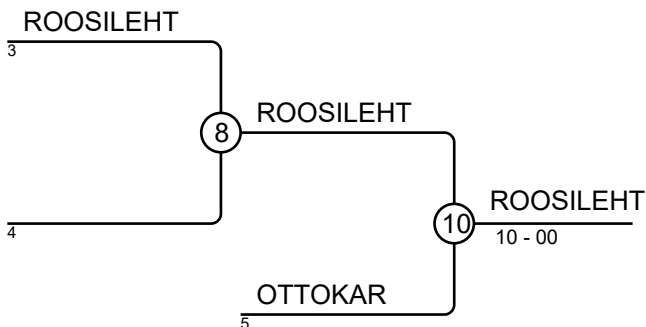
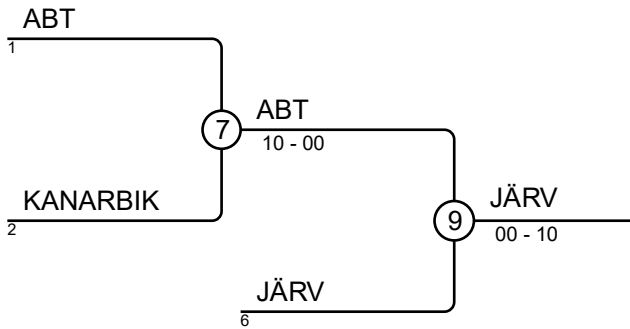
Sumo EMV 23.09.18 Rakvere PU18-70

Competitors: 7



Results

Pos	Name
1	ALEKS TOLSTJAKOV, M-DOJO
2	Penno PALL, Põltsamaa SK Nipi
3	Ander JÄRV, Ramm
3	Sander ROOSILEHT, MK Juhan
5	Philip ABT, MK Juhan
5	MARTIN OTTOKAR, EESTI KARUD
7	Kristen KANARBIK, MK Juhan
7	



Sumo EMV 23.09.18 Rakvere PU18-80

Competitors

Competitors: 2

#	Name	Grade	Club	1	2	1	2	1	2	Wins	Pts	Pos
1	Aron AUN	?	MK Juhan				10		10	2	20	1
2	Rasmus KLAOS	?	Ramm	10						1	10	2

Matches

Match	White			Blue	Result	Time
1	Aron AUN	1	2	Rasmus KLAOS	00-10	0:03
2	Aron AUN	1	2	Rasmus KLAOS	10-00	0:03
3	Aron AUN	1	2	Rasmus KLAOS	10-00	0:05

Results

Pos	Name
1	Aron AUN, MK Juhan
2	Rasmus KLAOS, Ramm

Sumo EMV 23.09.18 Rakvere PU18-90

Competitors

Competitors: 5

#	Name	Grade	Club	1	2	3	4	5	Wins	Pts	Pos
1	ANVAR SILD	?	EESTI KARUD			10	10		2	20	3
2	ROMEL SEEMANN	?	EESTI KARUD	10		10	10		3	30	2
3	Mike SIEMERS	?	MK Juhan						0	0	5
4	Frank PAGIL	?	MK Aberg			10			1	10	3
5	Gregor Naatan SOONE	?	MK Aberg	10	10	10	10		4	40	1

Matches

Match	White	Blue	Result	Time
1	Frank PAGIL 4 5	Gregor Naatan SOONE	00-10	0:11
2	ANVAR SILD 1 2	ROMEL SEEMANN	00-10	0:08
3	Mike SIEMERS 3 4	Frank PAGIL	00-10	0:23
4	ANVAR SILD 1 5	Gregor Naatan SOONE	00-10	0:07
5	ROMEL SEEMANN 2 3	Mike SIEMERS	10-00	0:03
6	ANVAR SILD 1 4	Frank PAGIL	10-00	0:07
7	Mike SIEMERS 3 5	Gregor Naatan SOONE	00-10	0:03
8	ROMEL SEEMANN 2 4	Frank PAGIL	10-00	0:09
9	ANVAR SILD 1 3	Mike SIEMERS	10-00	0:02
10	ROMEL SEEMANN 2 5	Gregor Naatan SOONE	00-10	0:03

Results

Pos	Name
1	Gregor Naatan SOONE, MK Aberg
2	ROMEL SEEMANN, EESTI KARUD
3	ANVAR SILD, EESTI KARUD
3	Frank PAGIL, MK Aberg
5	Mike SIEMERS, MK Juhan

Sumo EMV 23.09.18 Rakvere PU18ABS

Competitors

Competitors: 5

#	Name	Grade	Club	1	2	3	4	5	Wins	Pts	Pos
1	XSANDER SOLBAJA	?	SK SUMOTORI			10	10	10	3	30	2
2	Ott HELISTE	?	Ramm	10		10	10		3	30	1
3	ROMEL SEEMANN	?	EESTI KARUD				10	10	2	20	3
4	Mihkel PUKK	?	MK Juhan						0	0	5
5	EERIK PANK	?	RJK Leola		10		10		2	20	3

Matches

Match	White	Blue	Result	Time
1	Mihkel PUKK	4 5 EERIK PANK	00-10	1:07
2	XSANDER SOLBAJA	1 2 Ott HELISTE	00-10	0:21
3	ROMEL SEEMANN	3 4 Mihkel PUKK	10-00	0:14
4	XSANDER SOLBAJA	1 5 EERIK PANK	10-00	0:12
5	Ott HELISTE	2 3 ROMEL SEEMANN	10-00	0:05
6	XSANDER SOLBAJA	1 4 Mihkel PUKK	10-00	0:06
7	ROMEL SEEMANN	3 5 EERIK PANK	10-00	0:10
8	Ott HELISTE	2 4 Mihkel PUKK	10-00	0:09
9	XSANDER SOLBAJA	1 3 ROMEL SEEMANN	10-00	0:06
10	Ott HELISTE	2 5 EERIK PANK	00-10	0:00

Results

Pos	Name
1	Ott HELISTE, Ramm
2	XSANDER SOLBAJA, SK SUMOTORI
3	ROMEL SEEMANN, EESTI KARUD
3	EERIK PANK, RJK Leola
5	Mihkel PUKK, MK Juhan

Sumo EMV 23.09.18 Rakvere TU18+75

Competitors

Competitors: 3

#	Name	Grade	Club	1	2	3	Wins	Pts	Pos
1	kai PÄHKEL	?	Põltsamaa SK Nipi		10	10	2	20	1
2	Vladlena STEPTSENKO	?	Põltsamaa SK Nipi			10	1	10	2
3	Marke KLEE	?	EESTI KARUD				0	0	3

Matches

Match	White			Blue	Result	Time
1	kai PÄHKEL	1	2	Vladlena STEPTSENKO	10-00	0:02
2	kai PÄHKEL	1	3	Marke KLEE	10-00	0:00
3	Vladlena STEPTSENKO	2	3	Marke KLEE	10-00	0:05

Results

Pos	Name
1	kai PÄHKEL, Põltsamaa SK Nipi
2	Vladlena STEPTSENKO, Põltsamaa SK Nipi
3	Marke KLEE, EESTI KARUD

Sumo EMV 23.09.18 Rakvere TU18-50

Competitors

Competitors: 3

#	Name	Grade	Club	1	2	3	Wins	Pts	Pos
1	ALINA MEHILÄINEN	?	Buffen-do		10	10	2	20	1
2	Vika TSAJUN	?	Sakura			10	1	10	2
3	MILANA PILVE	?	EESTI KARUD				0	0	3

Matches

Match	White			Blue	Result	Time
1	ALINA MEHILÄINEN	1	2	Vika TSAJUN	10-00	0:22
2	ALINA MEHILÄINEN	1	3	MILANA PILVE	10-00	0:12
3	Vika TSAJUN	2	3	MILANA PILVE	10-00	0:04

Results

Pos	Name
1	ALINA MEHILÄINEN, Buffen-do
2	Vika TSAJUN, Sakura
3	MILANA PILVE, EESTI KARUD

Sumo EMV 23.09.18 Rakvere TU18-55

Competitors

Competitors: 3

#	Name	Grade	Club	1	2	3	Wins	Pts	Pos
1	Jonete VISNAPUU	?	Väike-Maarja RSK		10	10	2	20	1
2	Eva Maria RAUDSEPP	?	Väike-Maarja RSK			10	1	10	2
3	KRISTEL SÖÖT	?	EESTI KARUD				0	0	3

Matches

Match	White	Blue	Result	Time
1	Jonete VISNAPUU	1 2 Eva Maria RAUDSEPP	10-00	0:04
2	Jonete VISNAPUU	1 3 KRISTEL SÖÖT	10-00	0:00
3	Eva Maria RAUDSEPP	2 3 KRISTEL SÖÖT	10-00	0:05

Results

Pos	Name
1	Jonete VISNAPUU, Väike-Maarja RSK
2	Eva Maria RAUDSEPP, Väike-Maarja RSK
3	KRISTEL SÖÖT, EESTI KARUD

Sumo EMV 23.09.18 Rakvere TU18-60

Competitors

Competitors: 3

#	Name	Grade	Club	1	2	3	Wins	Pts	Pos
1	KÄROLY SEEMANN	?	EESTI KARUD				0	0	3
2	ANASTASSIA SAZONOVA	?	Buffen-do	10		10	2	20	1
3	Heily TIITUS	?	MK Juhan	10			1	10	2

Matches

Match	White			Blue	Result	Time
1	KÄROLY SEEMANN	1	2	ANASTASSIA SAZONOVA	00-10	0:03
2	KÄROLY SEEMANN	1	3	Heily TIITUS	00-10	0:09
3	ANASTASSIA SAZONOVA	2	3	Heily TIITUS	10-00	0:06

Results

Pos	Name
1	ANASTASSIA SAZONOVA, Buffen-do
2	Heily TIITUS, MK Juhan
3	KÄROLY SEEMANN, EESTI KARUD

Sumo EMV 23.09.18 Rakvere TU18-65

Competitors

Competitors: 2

#	Name	Grade	Club	1	2	1	2	1	2	Wins	Pts	Pos
1	Mirjam KASK	?	MK Juhan		10		10			2	20	1
2	KRISTYN PIHEL GAS	?	RJK Leola							0	0	2

Matches

Match	White			Blue	Result	Time
1	Mirjam KASK	1	2	KRISTYN PIHEL GAS	10-00	0:07
2	Mirjam KASK	1	2	KRISTYN PIHEL GAS	10-00	0:06
3	Mirjam KASK	1	2	KRISTYN PIHEL GAS		

Results

Pos	Name
1	Mirjam KASK, MK Juhan
2	KRISTYN PIHEL GAS, RJK Leola

Sumo EMV 23.09.18 Rakvere TU18-70

Competitors

Competitors: 2

#	Name	Grade	Club	1	2	1	2	1	2	Wins	Pts	Pos
1	Kerta VIIRA	?	Ramm							0	0	2
2	Sandra PLAMUS	?	MK Juhan	10		10				2	20	1

Matches

Match	White			Blue	Result	Time
1	Kerta VIIRA	1	2	Sandra PLAMUS	00-10	0:05
2	Kerta VIIRA	1	2	Sandra PLAMUS	00-10	0:02
3	Kerta VIIRA	1	2	Sandra PLAMUS		

Results

Pos	Name
1	Sandra PLAMUS, MK Juhan
2	Kerta VIIRA, Ramm

Sumo EMV 23.09.18 Rakvere TU18-75

Competitors

Competitors: 2

#	Name	Grade	Club	1	2	1	2	1	2	Wins	Pts	Pos
1	MARTA PAJULA	?	SK TAPA		10		10			2	20	1
2	Annika HOCHSTÄTTER	?	Sakura							0	0	2

Matches

Match	White			Blue	Result	Time
1	MARTA PAJULA	1	2	Annika HOCHSTÄTTER	10-00	0:03
2	MARTA PAJULA	1	2	Annika HOCHSTÄTTER	10-00	0:04
3	MARTA PAJULA	1	2	Annika HOCHSTÄTTER		

Results

Pos	Name
1	MARTA PAJULA, SK TAPA
2	Annika HOCHSTÄTTER, Sakura

Sumo EMV 23.09.18 Rakvere TU18ABS

Competitors

Competitors: 4

#	Name	Grade	Club	1	2	3	4	Wins	Pts	Pos
1	kai PÄHKEL	?	Põltsamaa SK Nipi		10	10	10	3	30	1
2	Vladlena STEPTSENKO	?	Põltsamaa SK Nipi			10	10	2	20	2
3	KÄROLY SEEMANN	?	EESTI KARUD					0	0	3
4	Annika HOCHSTÄTTER	?	Sakura			10		1	10	3

Matches

Match	White	Grade	Blue	Grade	Result	Time
1	kai PÄHKEL	1	Vladlena STEPTSENKO	2	10-00	0:02
2	KÄROLY SEEMANN	3	Annika HOCHSTÄTTER	4	00-10	0:04
3	kai PÄHKEL	1	KÄROLY SEEMANN	3	10-00	0:04
4	Vladlena STEPTSENKO	2	Annika HOCHSTÄTTER	4	10-00	0:03
5	kai PÄHKEL	1	Annika HOCHSTÄTTER	4	10-00	0:02
6	Vladlena STEPTSENKO	2	KÄROLY SEEMANN	3	10-00	0:02

Results

Pos	Name
1	kai PÄHKEL, Põltsamaa SK Nipi
2	Vladlena STEPTSENKO, Põltsamaa SK Nipi
3	Annika HOCHSTÄTTER, Sakura
3	KÄROLY SEEMANN, EESTI KARUD